

Model:  
**TDD-4CT-S**

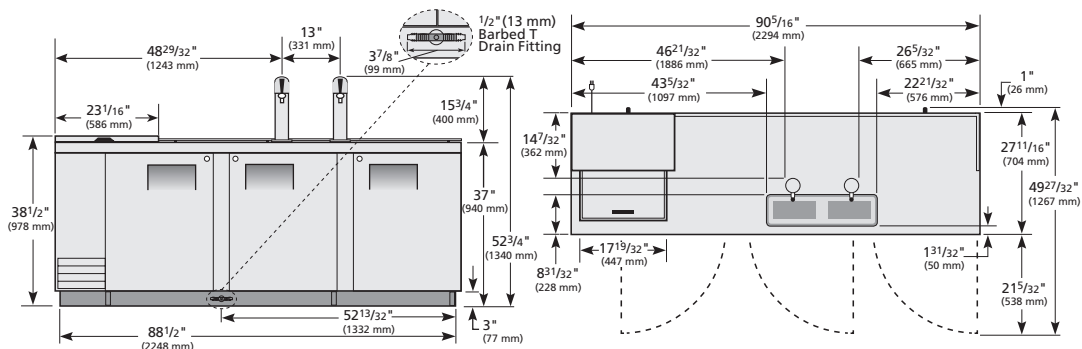
**Underbar Refrigeration:**  
*Solid Swing Door Stainless Steel Club Top Direct Draw Beer Dispenser*



## TDD-4CT-S

- ▶ True's direct draw beer dispensers are designed with enduring quality and value. Our commitment to using the highest quality materials and oversized refrigeration assures colder product temperatures and years of trouble free service.
- ▶ Easy to reach refrigerated storage area under slide top for chilled product or glasses.
- ▶ Oversized, factory balanced, refrigeration system holds 33°F to 38°F (.5°C to 3.3°C).
- ▶ Exterior - stainless steel doors, front and sides. Matching aluminum back. All stainless steel counter top and lid.
- ▶ Interior - Stainless steel floor with ½" (13 mm) reinforced lip and heavy gauge galvanized steel walls. NSF/ANSI Standard 7 compliant for packaged or bottled product.
- ▶ Adjustable, heavy duty PVC coated wire shelf.
- ▶ Two (2) 3" (77 mm) diameter stainless steel insulated beer columns. Cold air is directed into beer columns to reduce foaming and maximize draft beer profits.
- ▶ Anodized aluminum glass rail provides convenient storage for glasses on top.
- ▶ Entire cabinet structure and solid doors are foamed-in-place using a high density, polyurethane insulation that has zero ozone depletion potential (ODP) and zero global warming potential (GWP).

## PLAN VIEW



## ROUGH-IN DATA

Specifications subject to change without notice.  
Chart dimensions rounded up to the next whole millimeter (inches rounded up to the next 1/8").

Model	Doors	Capacity 1/2 Barrels	Shelves	Cabinet Dimensions (mm)			HP	Voltage	Amps	Refrigerant	Crated Weight (kg)
				W	D†	H*					
TDD-4CT-S	3	4	1	2296	689	978	1/3	220-240V/50Hz	3.2	134A	205

† Depth does not include 26 mm for rear bumpers.

\* Height does not include 362 mm for draft arms.